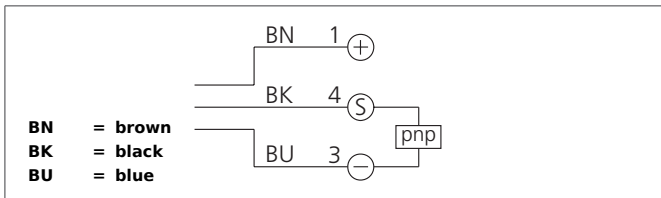
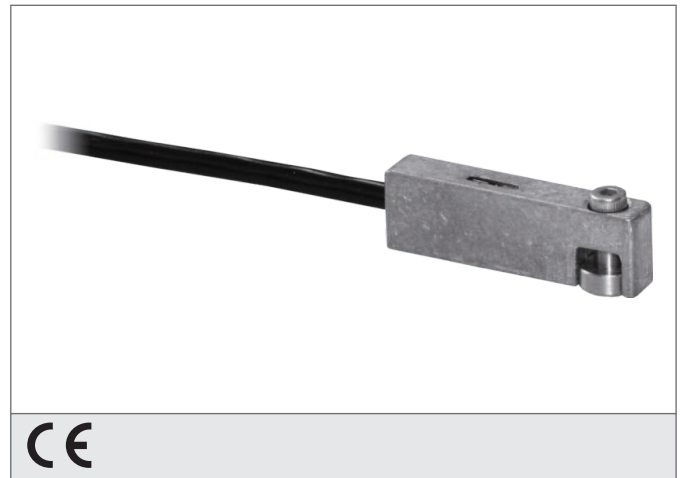


MZET 28 PSK-K-TSSL

Cylinder Sensor

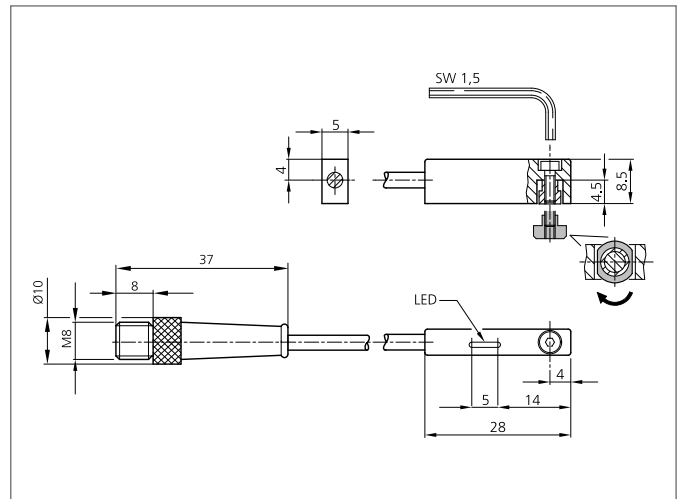
- To be inserted from above
- Metal casing
- Mechanically weld-proof
- All-electronically
- High reproducibility



Safety instructions

The Instruments are not to be used for safety applications, in particular applications in which safety of persons depends on proper operation of the instruments.

These instruments shall exclusively be used by qualified personnel.



TECHNICAL INFORMATION (typ.)	+20°C, 24V DC
Cylinder groove	T-groove, to be inserted from above in the slot
Mounting	Locknut, allen screw SW 1.5 mm
Maximum rating	200 mA, short-circuit-proof, polarity-safe
Service voltage	10 ... 30 V DC
Internal power consumption	< 10 mA
Switching output	pnp, 200 mA, NO, short circuit protected
Display	LED: yellow - output signal
Voltage drop	2,0 V
Switching frequency	1.000 Hz
Reproducibility	< 0,1 mm
Ambient temperature	-25 ... +70 °C
Insulation voltage endurance	500 V
Protection class	IP 68, (Device and cable), IP 67, (Connector)
Protection degree	III, operation on protective low voltage
Casing material	Die-cast zinc
Connection	cable PUR, Connector, M8, 300 mm
Connecting cable	TK ...